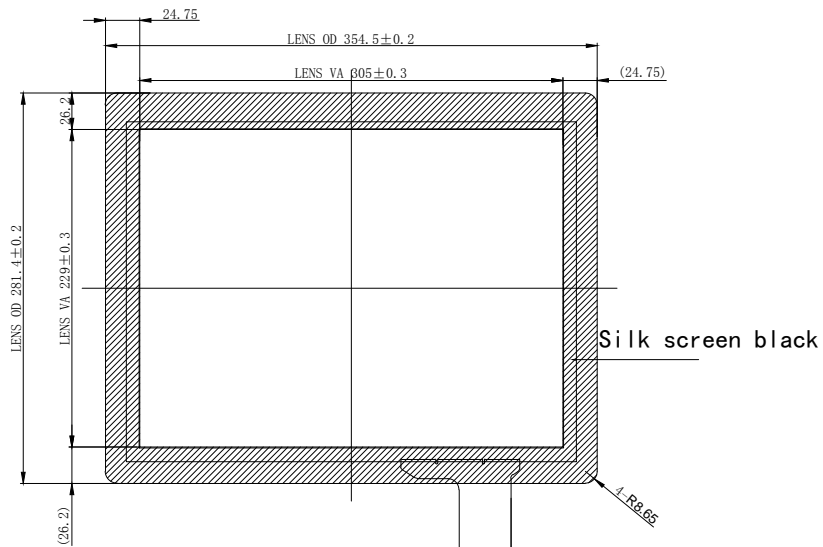
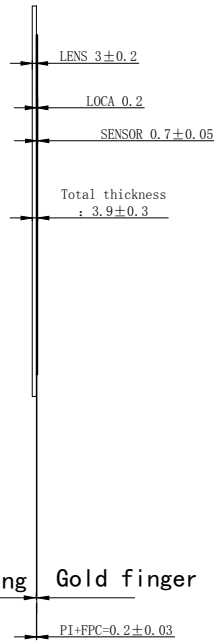


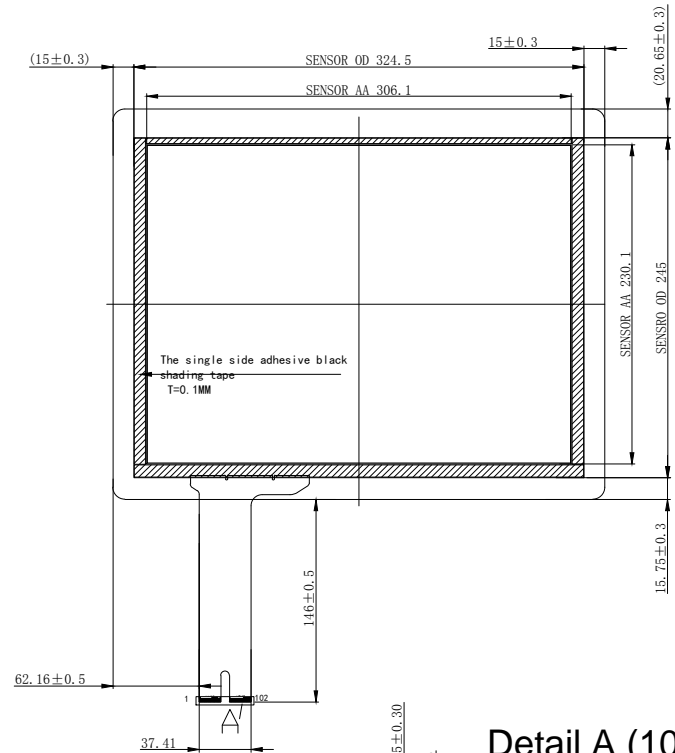
Top view



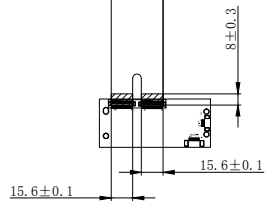
Side view



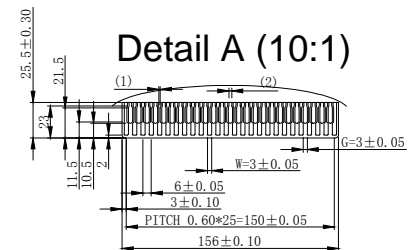
Bottom view



PIN	Define
1	GND
2	D+
3	D-
4	VDD/5V

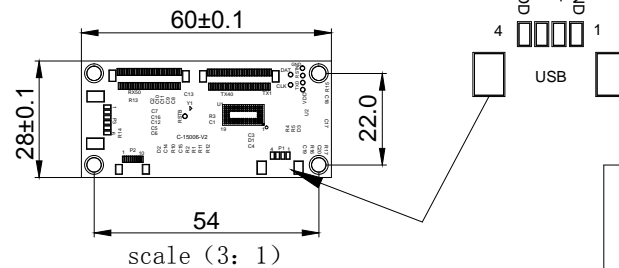


Plreinforcing Gold finger : 0.1mm



Technical parameters:

1. COVER LENS Tempered glass;
2. FPCinterfaceUSB;
3. IC: ILI2302M;
4. Working Voltage: 5V;
5. The resolution of the: Automatic identification X、Y (According to customer requirement);
6. For the surface hardness 6H;
7. Light Transmission more than 86%;
8. Not specified tolerances ± 0.2 mm;
9. Products comply with RoHS standard.



			Product Name: 15" Projected capacitive touch screen	
Dongguan CJtouch Electronic co. Ltd			Product No. CJ15025A-GDA-A1	
Material	Weight	Unit	Drawing No. CJ15025A-GDA-A1	
Glass +Glass		mm	Rev 1.0	
Sheet 1 of 1				