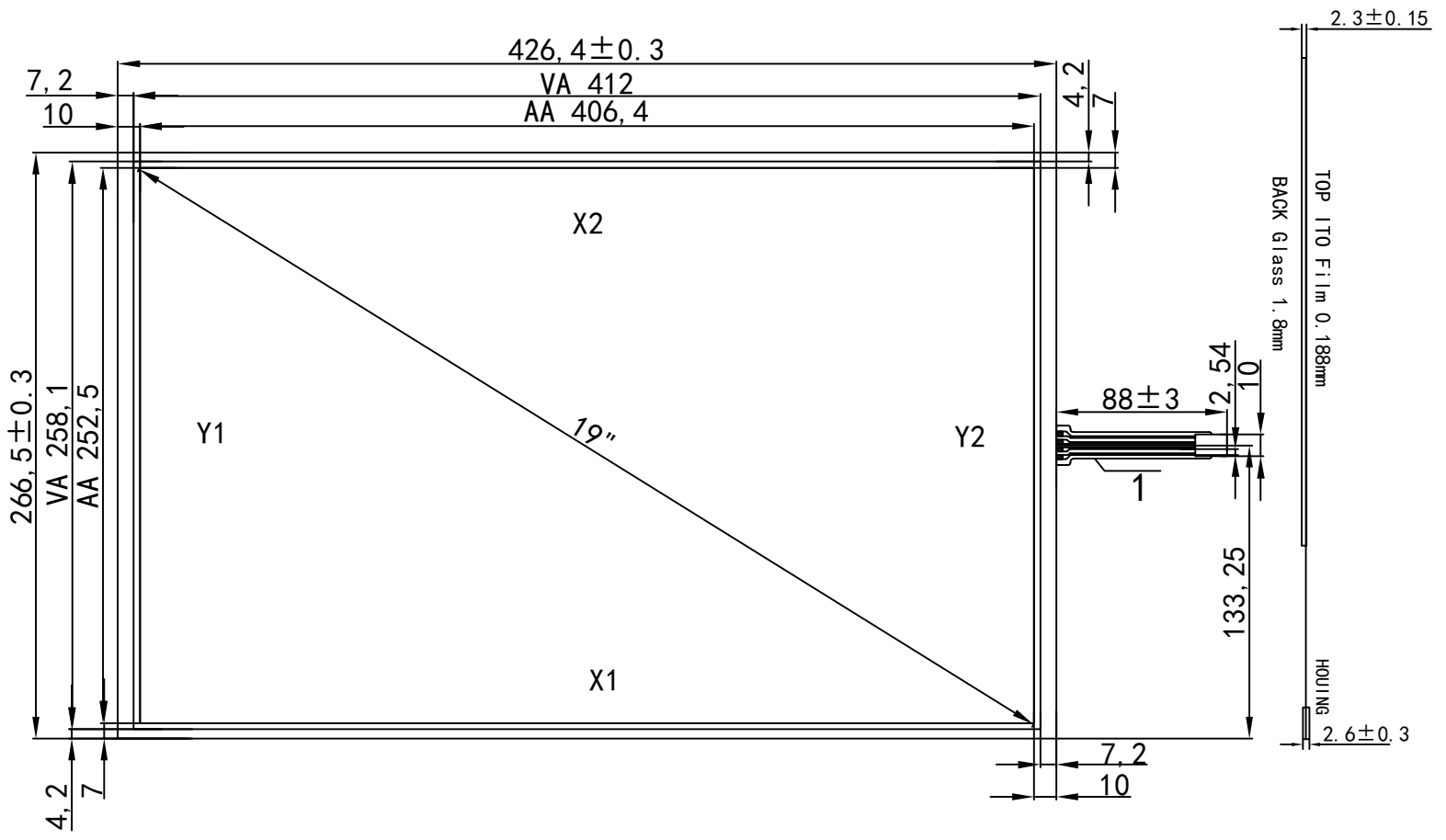
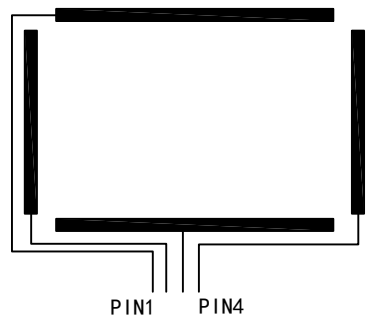


PIN	Assignment
1	Y1
2	X1
3	Y2
4	X2



Notes:

- Type: Film to Glass
- Operating Voltage: $\leq 10V$
- Operation Temperature: $-10^{\circ}C \sim 60^{\circ}C$ Storage Temperature: $-20^{\circ}C \sim 70^{\circ}C$
- Life Time: $> 1,000,000$ times
- Connect Material: FPC
- Response Time: $\leq 10ms$
- Linearity: $\leq 1.5\%$
- Transmittance: $\geq 78\%$
- Surface Hardness $\geq 3H$ (pencil)
- Operation force: $20g \sim 100g$
- Resistance: Y: $100\Omega - 600\Omega$ X: $400\Omega - 1000\Omega$

MODEL NO.	CJ190A4K03	UNIT:	MM
DRAWN:		TOLERANCE:	± 0.3
DATE:		SCALE:	1:1
VERSION:	1.0	REV:	19W4K