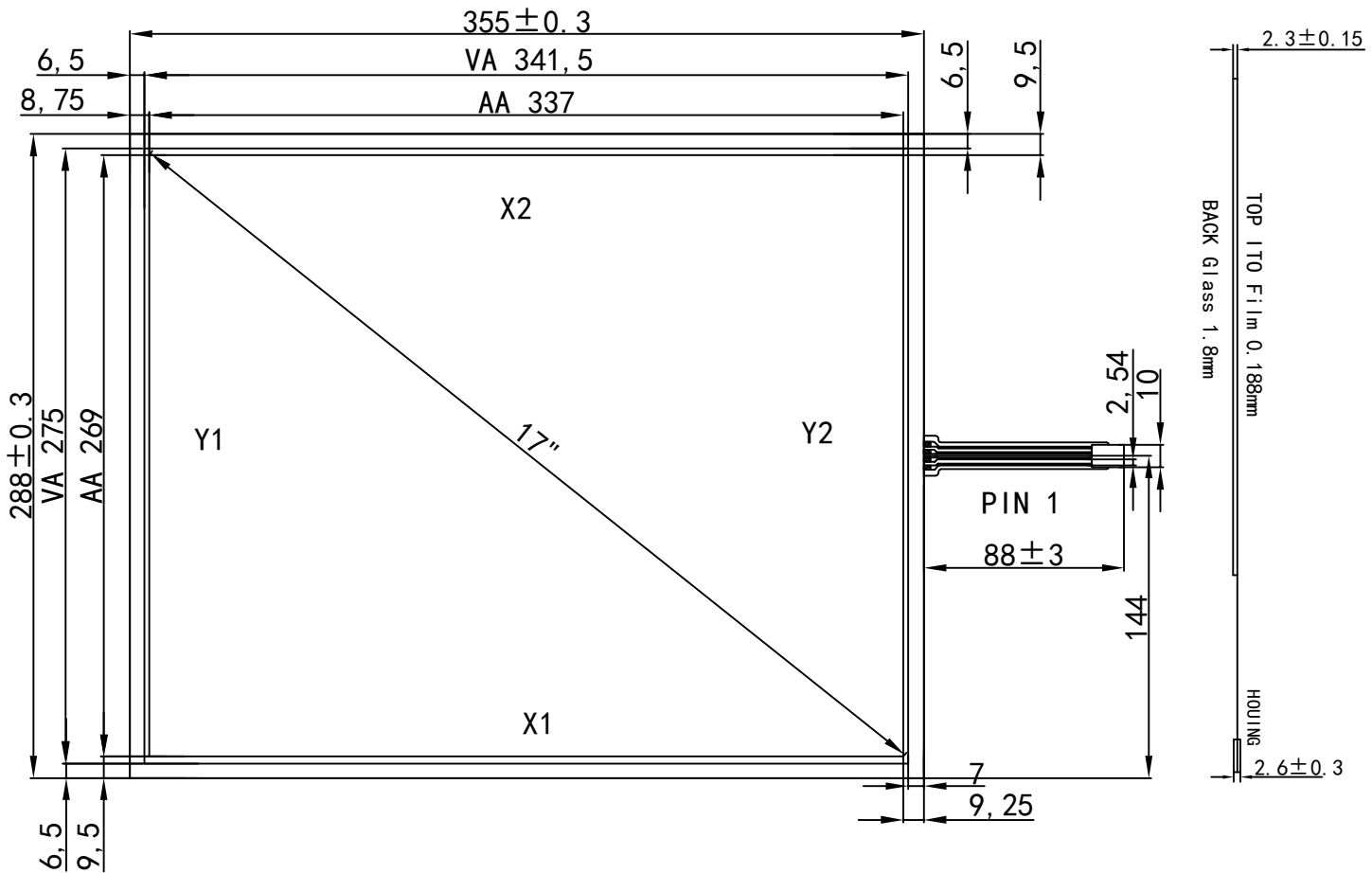
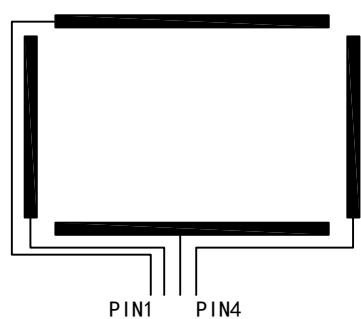


PIN	Assignment
1	Y1
2	X1
3	Y2
4	X2



Notes:

- | | |
|--------------------------------------|---|
| 1. Type: Film to Glass | 2. Operating Voltage: ≤10V |
| 3. Operation Temperature: -10°C~60°C | Storage Temperature: -20°C~70°C |
| 4. Life Time: >1, 000, 000 times | 5. Connect Material: FPC |
| 6. Response Time: ≤10ms | 7. Linearity: ≤1.5% |
| 8. Transmittance: ≥78% | 9. Surface Hardness ≥3H (pencil) |
| 10. Operation force: 20g~100g | 11. Resistance: Y: 200Ω-600Ω X: 250Ω-800Ω |

MODEL NO.	CJ170A4B01	UNIT:	MM
DRAWN:		TOLERANCE:	±0.3
DATE:		SCALE:	1:1
VERSION:	1.0	REV:	17W4BZ